

Switched Rocker Module

The Sure Grip Switched Rocker Modules are available in four configurations with several different switch options. These modules are designed to provide an ergonomic solution within a small footprint. Each Rocker Module is tested before final packaging, resulting in consistent reliable control.

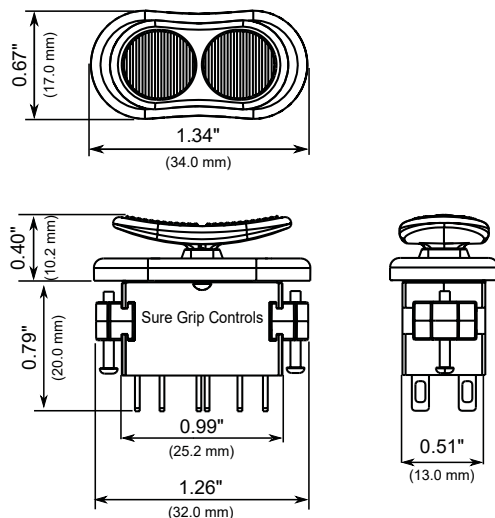
Our Rocker Switches will operate up to 10 million cycles providing reliable long service life. Compact mounting is accomplished using 2 narrow slide-in brackets resulting in various installation options both in Sure Grip handles and in other applications.



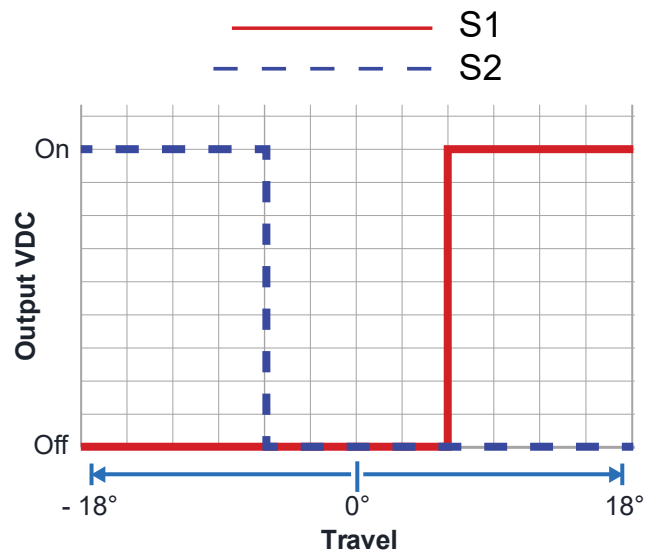
Features:

- Compact device with dual switch output(s)
- Sealed to IP67
- Extended travel range +/- 18°
- Long operational life: 10 million cycles
- Can be ordered individually or installed into Sure Grip handles

Dimensions



Switch Activation Characteristics



Preliminary Specifications

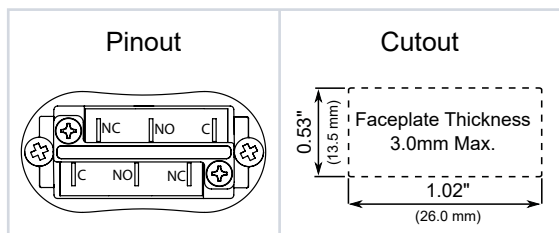
Switch Specifications

Switch Options:	Load	Voltage	Operating Temp
Unsealed Standard - IP40	4 A	30 Vdc	-25°C to +85°C
Sealed Switch - IP67	3 A	30 Vdc	-40°C to +85°C
Unsealed Gold Contact - IP40	100 mA	30 Vdc	-25°C to +85°C
Sealed Gold Switch - IP67	100 mA	30 Vdc	-40°C to +85°C

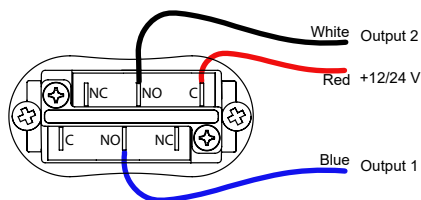
Mechanical Specifications

Travel	± 18°
Life Expectancy	10 million cycles
Functions	Maintained / Momentary / Maintained, Momentary

Installation



Rocker Module Typical Wiring



Part Numbers

Description:	
Momentary 3 Position	RM2-*-3MO
Maintained 2 Position	RM2-*-2MA
Maintained 3 Position	RM2-*-3MA
Maintained / Momentary 3 Position	RM2-*-3MA-MO

* - Switch Options

- S1 - Unsealed Standard Switch
- S1S - Sealed Switch
- S1G - Unsealed Gold Contact Switch
- S1SG - Sealed Gold Switch

Specifications are subject to change without notice.