

CAN Bus JSC Series Joystick

The award winning JSC Series joystick base is the next evolution of Sure Grip joysticks. Using the industry-proven JSM Joystick as a foundation, the JSC sets the new standard for high-performance industrial joystick bases.

Designed for high volume applications, this configurable control can be paired with the perfect Sure Grip handle for your needs. Smart features like the integrated Deutsch connector make installation quick and easy. Tested to the most extreme industry standards, the JSC joystick base is built to last.

Configurable to your needs

- Available with many different Sure Grip handles
- Configurable faceplates
- Several operating forces available

Extreme durability and long life

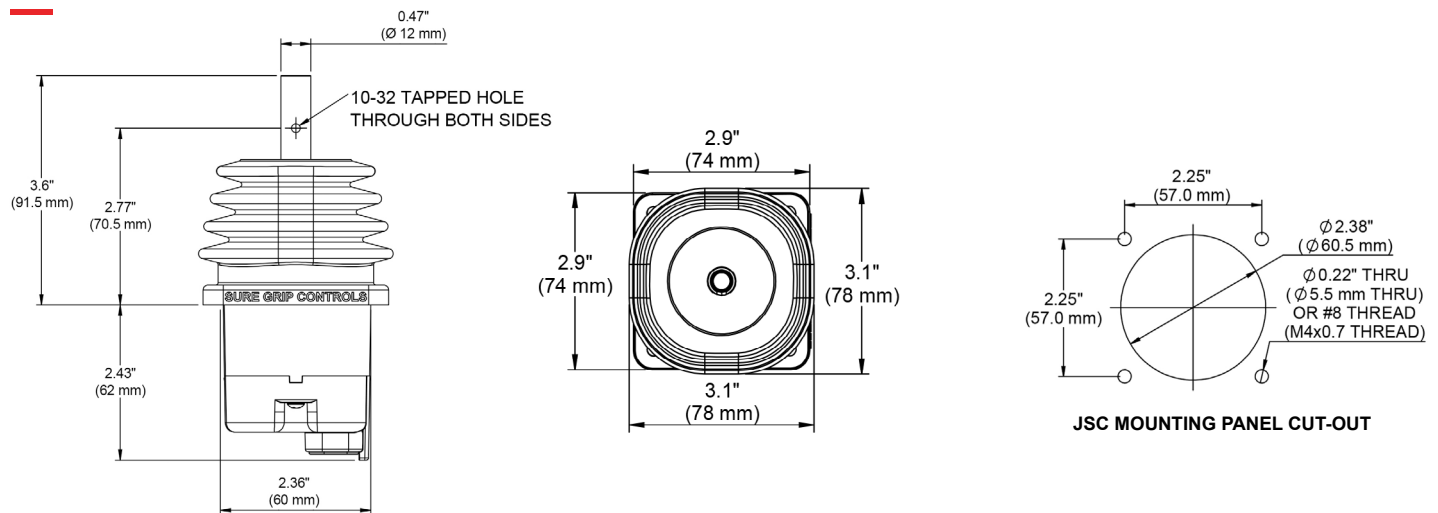
- IP69K below panel and IP-67 above panel sealing
- Tested to over 20 million operations
- Chemical, salt and UV resistant
- Static loading up to 110 Nm

Simple installation

- Integrated Deutsch DTM04-6P connector



Dimensions*



*Please see handle technical specifications sheets for handle dimensions.

Specifications



Electrical Specifications

Supply Voltage	10-36 VDC
Supply Current	30 mA

Mechanical Specifications

Travel	± 20°
Life Expectancy	20 million operations
Operating Force	Standard spring: 1.1-1.7 lbs Medium spring: 1.8-2.8 lbs
Maximum Static Load	110 Nm

Environmental Specifications

Operating Temperature	-40°C to +85°C
Sealing	IP69K/IP67 (handle dependent)
Vibration	10 Hz to 2 KHz 1.26 Grms (IEC 60068-2-4)
Shock	25 G for 11 ms all directions (IEC 60068-2-27)
EMC Immunity	125 V/m (ISO 13766)
EMC Emissions	CISPR 25 Class 2
ESD Immunity	ISO 10605: 2008 (+/- 8 kV operational, +/- 15 kV handling)

Specifications are subject to change without notice

