

SPECIFICATIONS

1. MECHANICAL SPECIFICATIONS

- TRAVEL OPTIONS (°): 20±1
- OPTIONAL KICKDOWN (°): N/A
- PEDAL FORCE (N): N/A
- LIFE (CYCLES): >3,000,000
- WEIGHT (g): 746

2. ELECTRICAL SPECIFICATIONS

- SENSOR TYPES: RESISTIVE
- OUTPUT OPTIONS: DUAL ANALOG, SWITCHING
- OUTPUT 1 RESISTANCE (KΩ): 2.74±20%
- OUTPUT 2 RESISTANCE (KΩ): 5.225±20%
- WORKING VOLTAGE (VDC): 5
- MAXIMUM VOLTAGE (VDC): 16
- MAXIMUM CURRENT (mA): 10
- LINEARITY: ±2%
- SYNCHRONICITY: ≤2%
- REPEATABILITY: ≤0.1%
- INSULATION RESISTANCE (MΩ): ≥100
- ELECTRICAL OUTPUT (VDC): SEE FIGURE 1

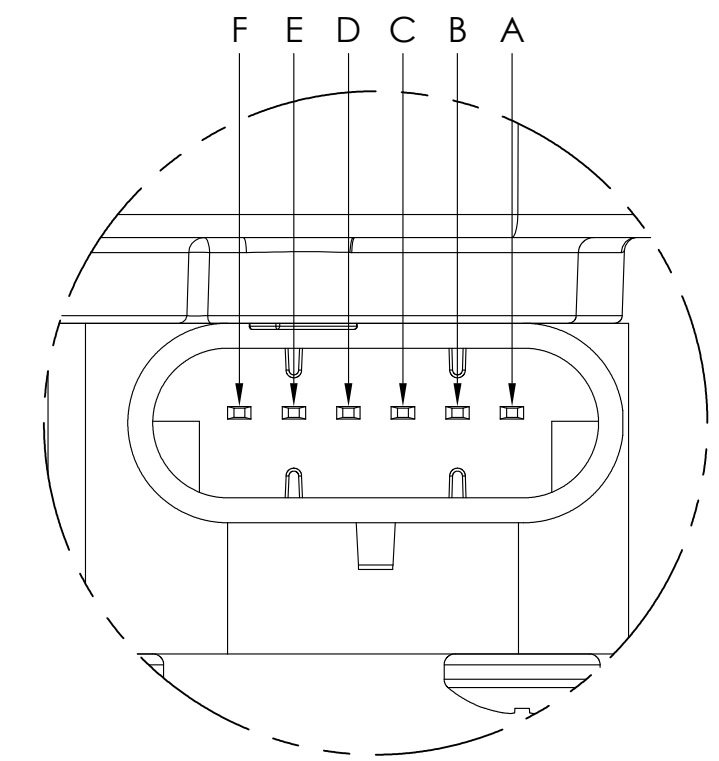
3. ENVIRONMENTAL SPECIFICATIONS

- TEMPERATURE (°C): -40 TO 85
- STORAGE TEMPERATURE (°C): -40 TO 95
- PROTECTION CLASS: IP66

4. STANDARDS MET

- FMVSS124
- CUMMINS AEB 15.59

NOTES
 1. SCREW ORIENTATION WITH BLUE TAMPER PROOFING PAINT AS SHOWN
 2. ADDITIONAL RESISTANCE OPTIONS AVAILABLE UPON REQUEST

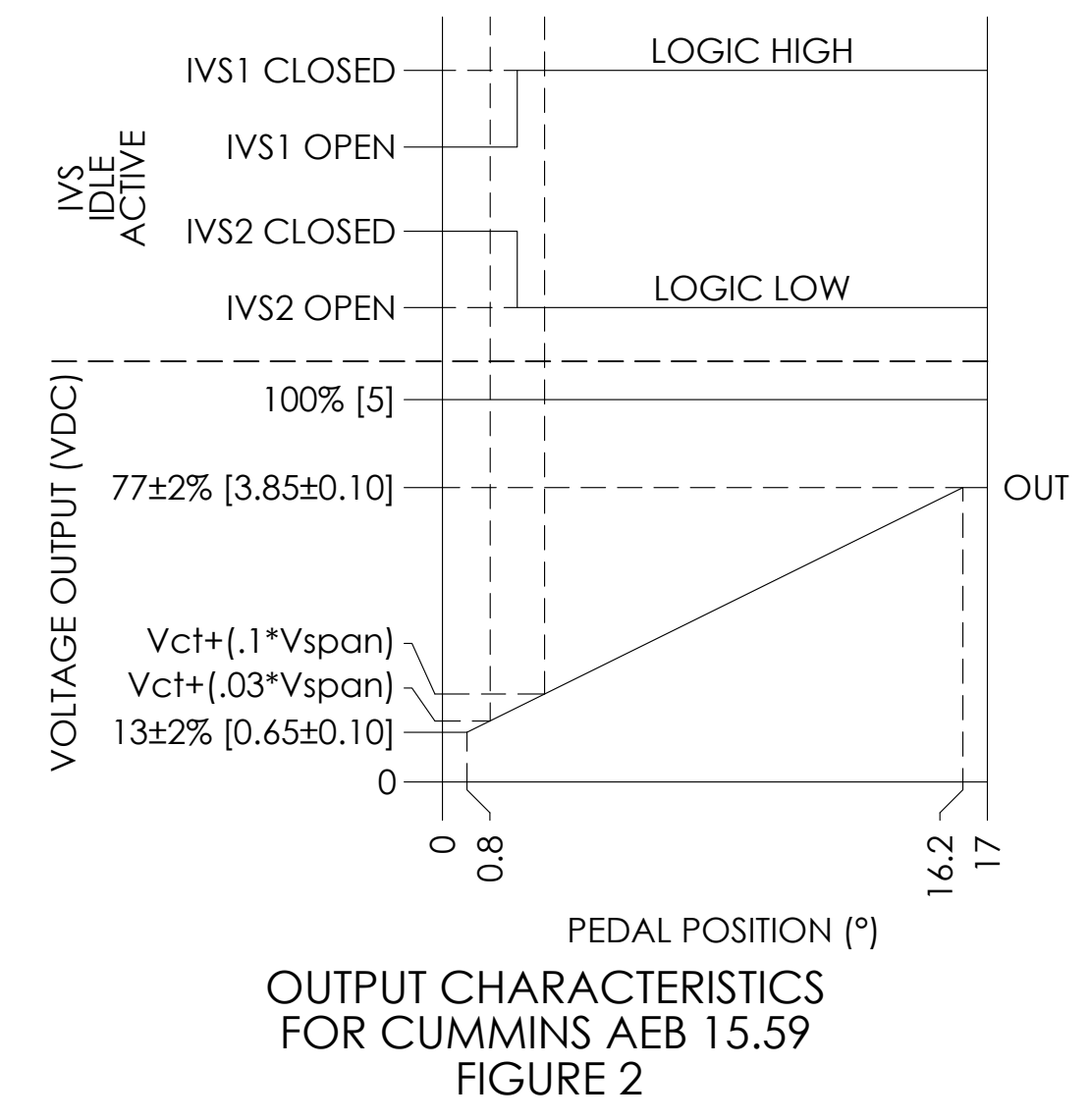
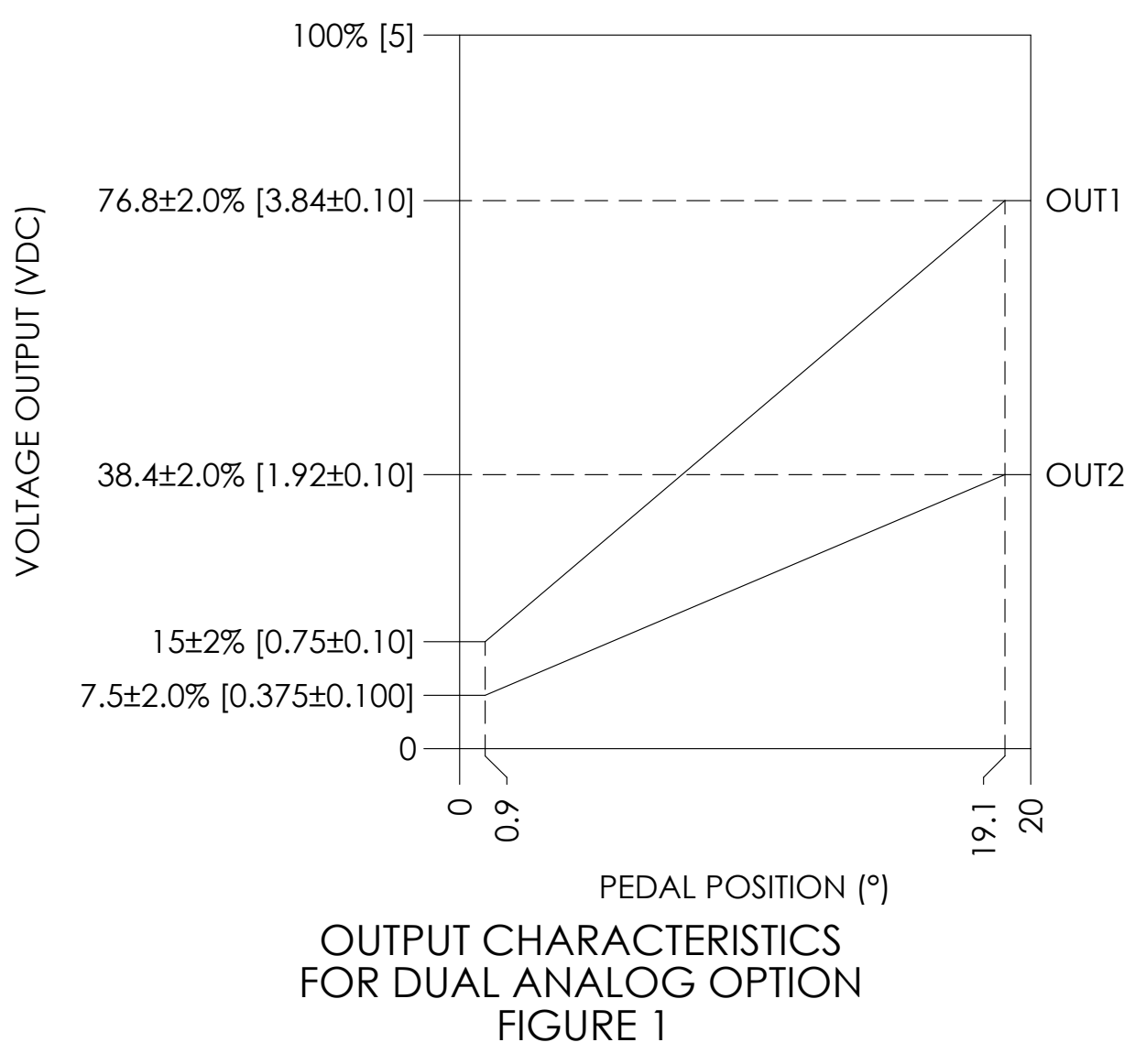
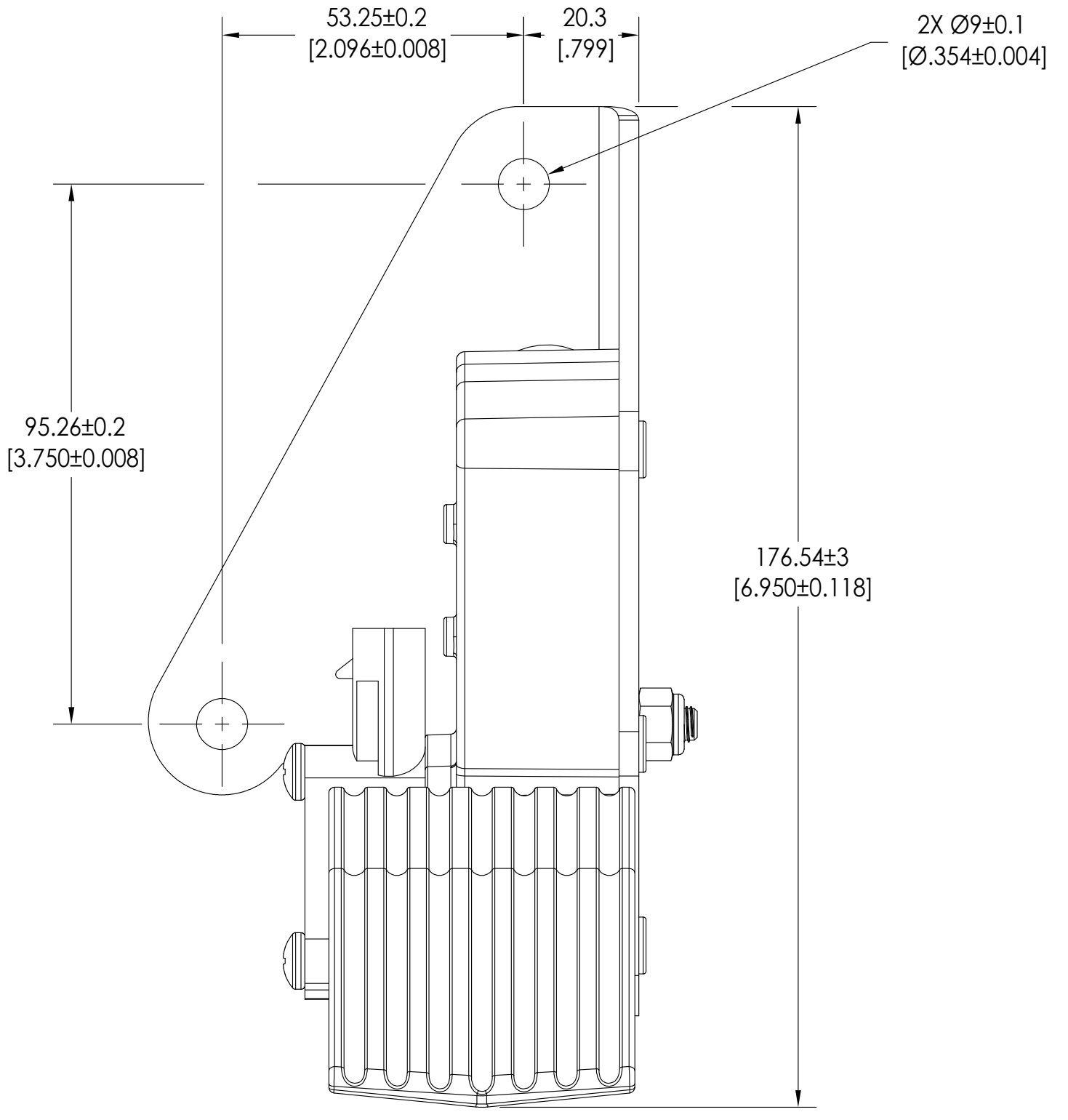
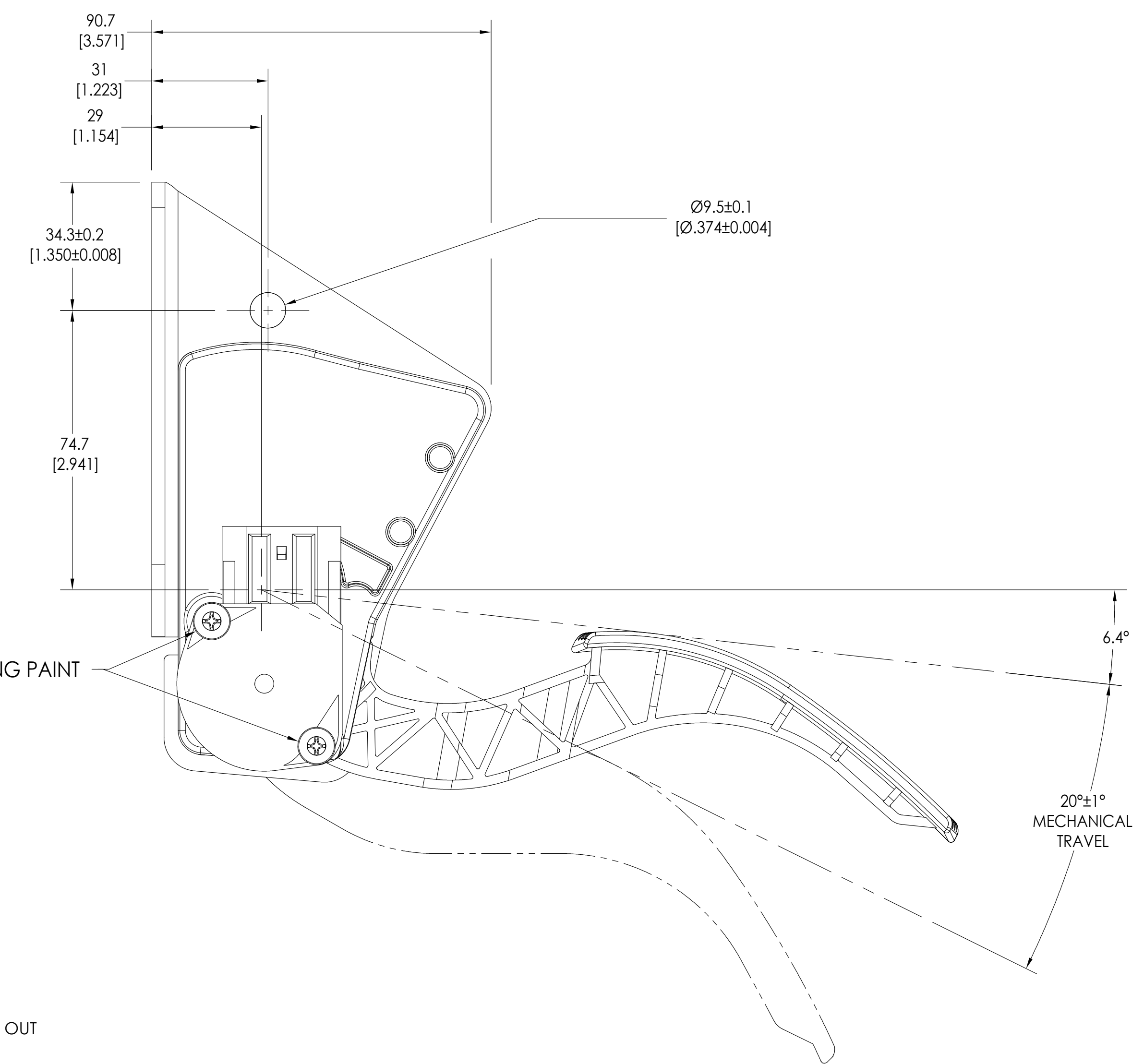
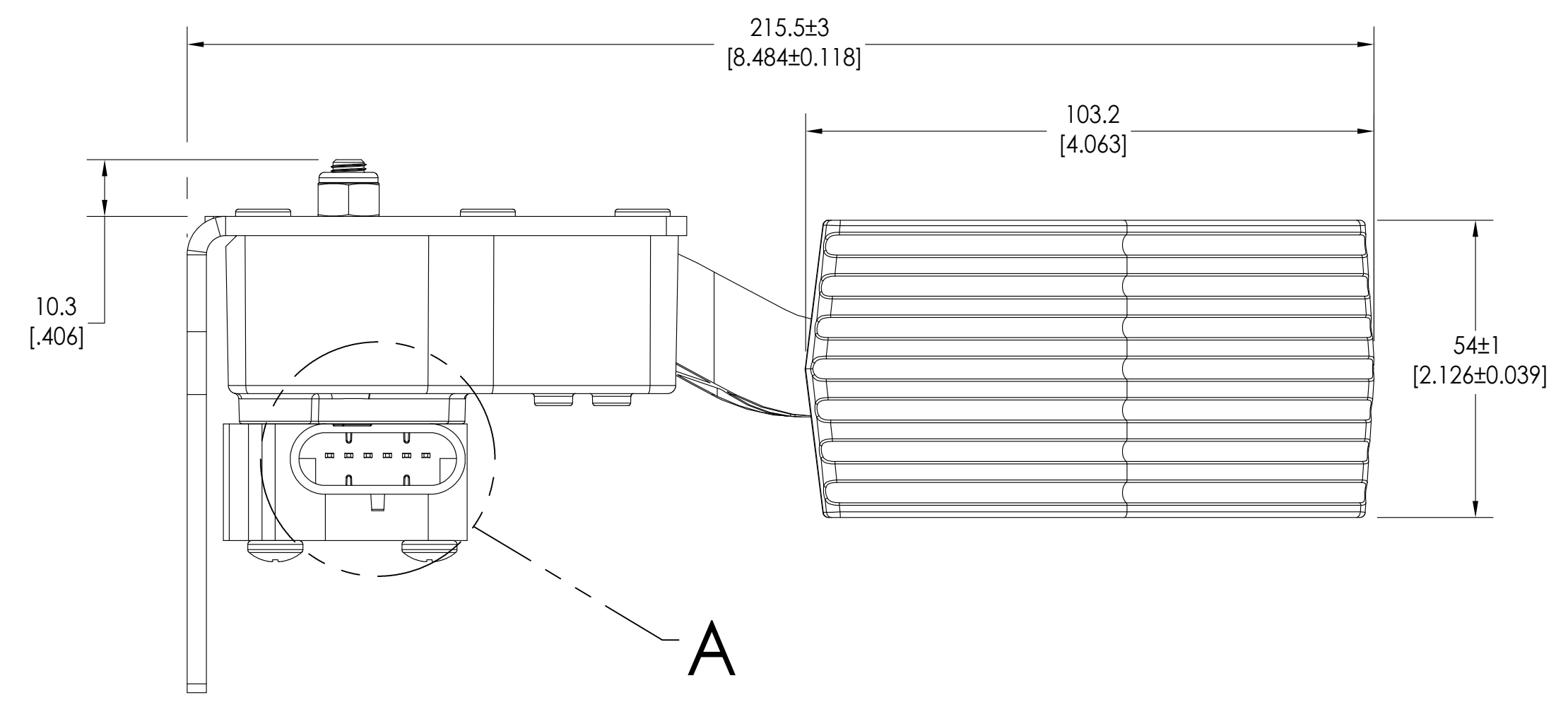


MATING CONNECTOR: DELPHI METRIPACK #12162261

**CONNECTOR PINOUT
 DETAIL VIEW A
 SCALE 2:1**

SENSOR PINOUT FOR DUAL ANALOG OPTION			
PIN	FUNCTION	PIN	FUNCTION
A	OUT1	D	VCC2+
B	COM1-	E	COM2-
C	VCC1+	F	OUT2

SENSOR PINOUT FOR SWITCHING OPTION			
PIN	FUNCTION	PIN	FUNCTION
A	OUT	D	IVS1
B	COM-	E	IVS2
C	VCC+	F	IVS COM



UNITS IN millimeter [inch]
 PART #
 10451