

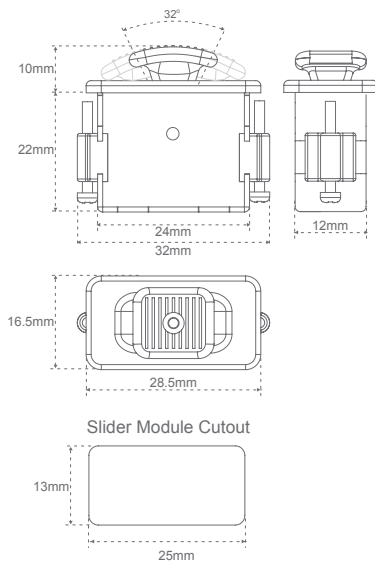
Slider Module

Technical Information

1949 Keating Cross Rd
Saanichton, B.C.
Canada V8M 2A4

Phone: (250) 544-2207
Fax: (250) 544-2279
www.suregripcontrols.com

SURE GRIP
CONTROLS INC.



Single Axis Proportional and 3 Position Maintained Slider module are installed on "C" Series control handle



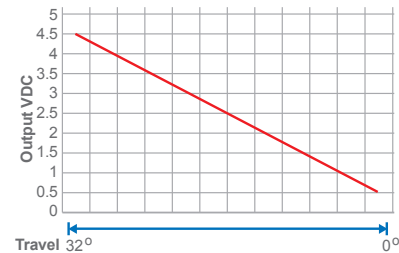
Slider Module Description

The Slider Module is a Proportional Hall Effect module available in three configurations. These compact proportional modules are designed for applications such as grapples, bucket thumbs, grab and tilt or rotate functions that will benefit from simple speed control.

The three position detented version is suitable for a forward-neutral-reverse transmission control while the friction maintained version could be used as a throttle or machine speed control.

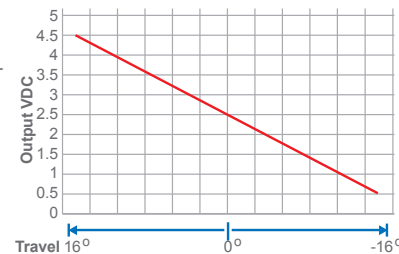
1 Single Axis-Friction-Maintained Part #: SM-P1-F

Operation: Friction Maintained
Supply: 5 VDC
Output: 0.5 - 4.5 VDC (+/-0.2)
Load Resistor: 5 K Ω
Travel: 0° -32°
Rating: IP-66 (above panel)
Mechanical Life: 5 Million Cycles



2 Single Axis-Proportional Part #: SM-P1

Operation Proportional: Spring return to center
Supply: 5VDC
Output: 0.5 - 2.5 - 4.5 VDC
Load Resistor: 5 K Ω
Travel: +/- 16°
Rating: IP-66 (above panel)
Mechanical Life: 5 Million Cycles



3 3 Position Maintained-Switched Part #: SM-S1-MA SM-S1-MO

Operation: 3 position detented (on-off-on)
3 position (on)-off-(on)
Supply: 5 - 30 VDC
Output: VDC - 0 - VDC
Load Resistor: 5 K Ω
Travel: detented @ -16° ; 0° ; 16°
Rating: IP-66 (above panel)
Mechanical Life: 5 Million Cycles



4 3 Position Maintained-Switched High Current Part #: SM-S1-MA-H SM-S1-MO-H

Operation: 3 position detented (on-off-on)
3 position (on)-off-(on)
Supply: 10 - 30 VDC
Output: VDC - 0 - VDC
Source Current: 2.5 A
Travel: -16° ; 0° ; 16°
Rating: IP-66 (above panel)
Mechanical Life: 5 Million Cycles



5 3 Position Maintained-Switched Sinking Part #: SM-S1-MA-S SM-S1-MO-S

Operation: 3 position detented (on-off-on)
3 position (on)-off-(on)
Supply: 5 - 30 VDC
Output: VDC - 0 - VDC
Sinking Current: 50 mA
Travel: -16° ; 0° ; 16°
Rating: IP-66 (above panel)
Mechanical Life: 5 Million Cycles

