

# 10 Button Keypad

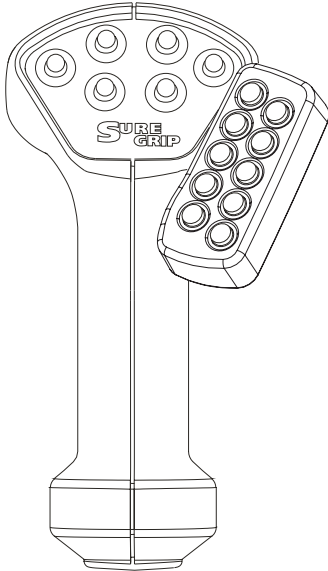
## Technical Information

1949 Keating Cross Rd  
 Saanichton, B.C.  
 Canada V8M 2A4

Phone: (250) 544-2207  
 Fax: (250) 544-2279  
 www.suregripcontrols.com



### Keypad Fits Left Handle Part # KP-10L1



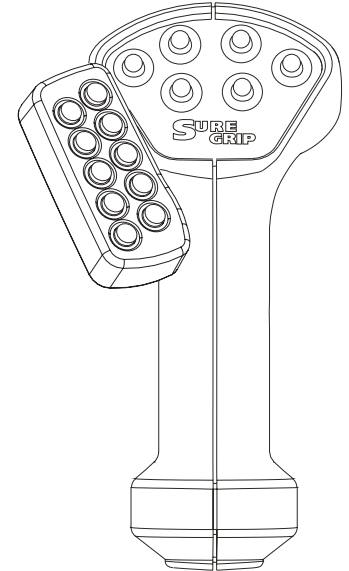
Sure Grip 10 Button Keypads provide extra switching functions to control computer, PLC or power relays.

The "NEW" Sure Grip Keypad fits the Redesigned "L" Series Handles. They have been completely redesigned to make the buttons easier to reach and to improve appearance.

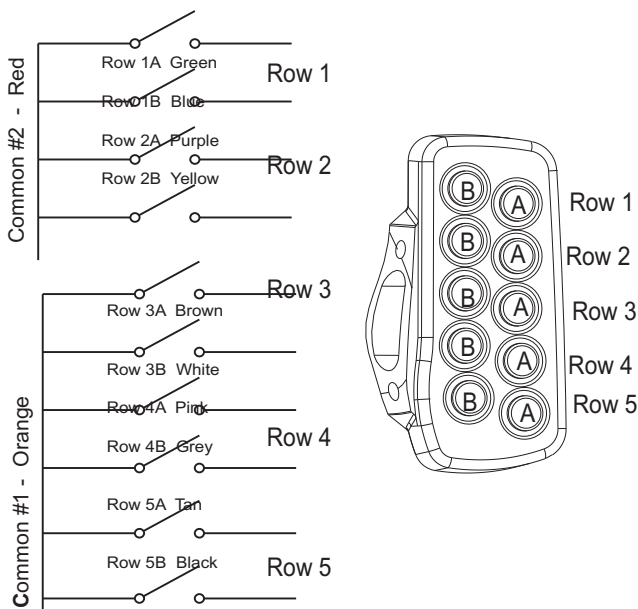
The keypad come prewired with 10' of shielded wire and installed on the corresponding handle case.

Sure Grip Keypads offer comfortable, compact and  **durable multi function switching**  options for the forestry and construction industries.

### Keypad Fits Right Handle Part # KP-10R1



#### KP-10L1G Wiring

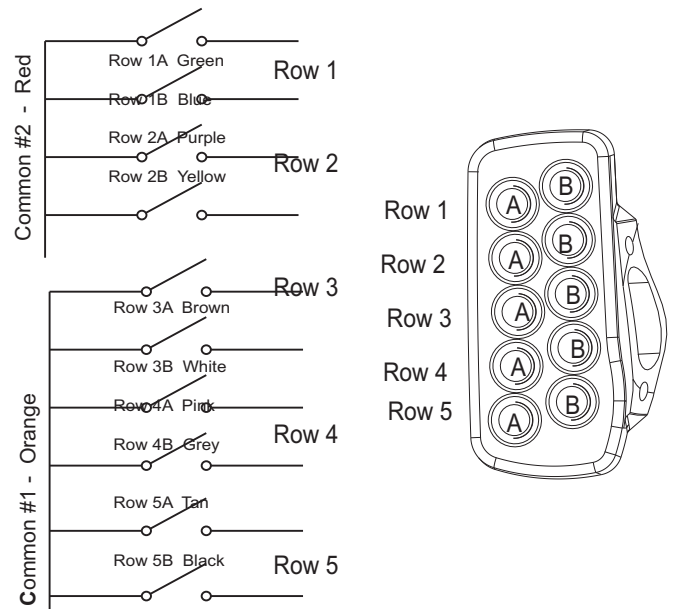


(contacts 50 ma Max.)  
 They will not operate a solenoid

Doc. #420.0069

Rev. 12/16/09

#### KP-10R1G Wiring



(contacts 50 ma Max.)  
 They will not operate a solenoid

Doc. #420.0071

Rev. 12/16/09

# 10 Button Keypad

## Technical Information

1949 Keating Cross Rd  
Saanichton, B.C.  
Canada V8M 2A4

Phone: (250) 544-2207  
Fax: (250) 544-2279  
www.suregripcontrols.com

**SURE GRIP**  
CONTROLS INC.



## Keypad Specifications

Electrical:	50 ma @ 24 VDC
Mechanical:	10 million cycles
Housing:	High Impact ABS
Wire:	10' @ 24 Gauge Shielded
Operating Force:	250 grams
Wire routed through handle case	

## Comparison of Old Keypad and New Keypad

Old Style Keypad	New Style Keypad
------------------	------------------



**KP-10L**  
10 button keypad  
(Fits left handle)  
( Shown)

~~KP-10R~~  
10 button keypad  
(fits right handle)

**The Major Development**  
+ Closer mounted buttons  
+ Completely enclosed case  
+ No exposure wire



**KP-10L1**  
10 button keypad  
(fits left handle)  
(Shown)

~~KP-10R1~~  
10 button keypad  
(fits right handle)